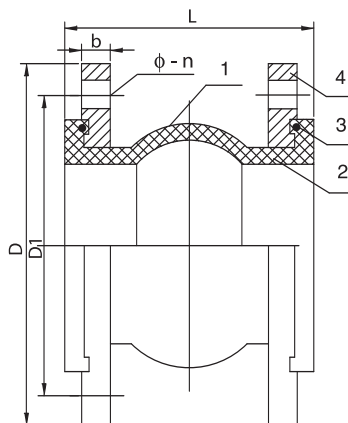


**RACCORD COMPENSATEUR DE DILATATION,
A BRIDES GALVANISEES, SIMPLE ONDE, PN10,
TEMP. MAX 90°C**

**GALVANISED FLANGED EXPANSION JOINT,
SINGLE SPHERE PN10, TEMP. MAX 90°C**



■ MATIÈRE ■ MATERIALS

DESCRIPTION	PART NAME	MATIÈRE	MATERIALS
1 Caoutchouc	Rubber	EPDM	EPDM
2 Structure principale	Key frame	Cordon nylon	Nylon cord fabric
3 Joint pressurisé	Pressurized ring	Fil d'acier	Steel wire stand
4 Bride	Flange	Acier	Steel

DN	L (mm)	D (mm)	D1 (mm)	b (mm)	φ (mm) - n
32	95	140	100	16	18-4
40	95	150	110	16	18-4
50	105	165	125	18	18-4
65	115	185	145	18	18-4
80	135	200	160	20	18-8
100	150	220	180	20	18-8
125	165	250	210	22	18-8
150	180	285	240	22	22-8
200					
250					
300					